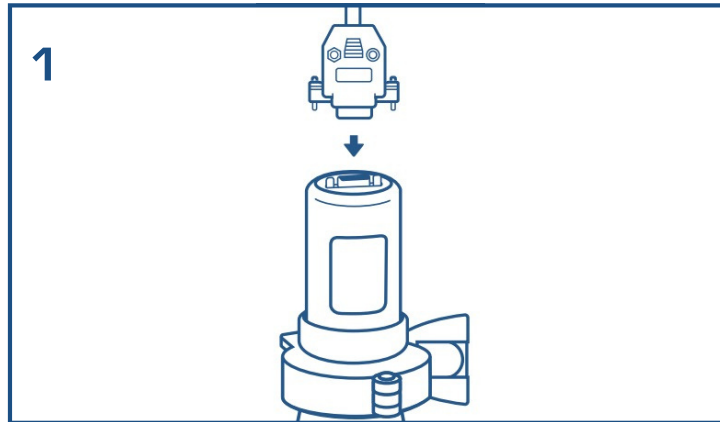


Quick Start Guide

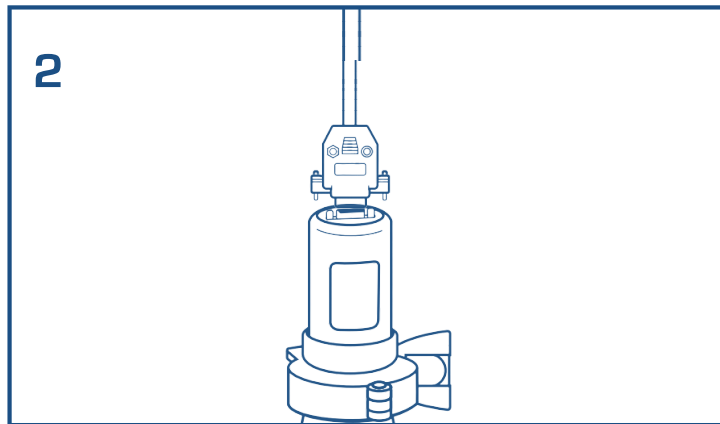
Bullseye DASH

NOTE:

The DASH comes preconfigured and calibrated at the factory. No additional setting changes need to be done before putting the gauge into service.



Attach provided adapter to Sensor



Take the cable coming off the DASH and plug it into the adapter



You are now ready to use your Dash